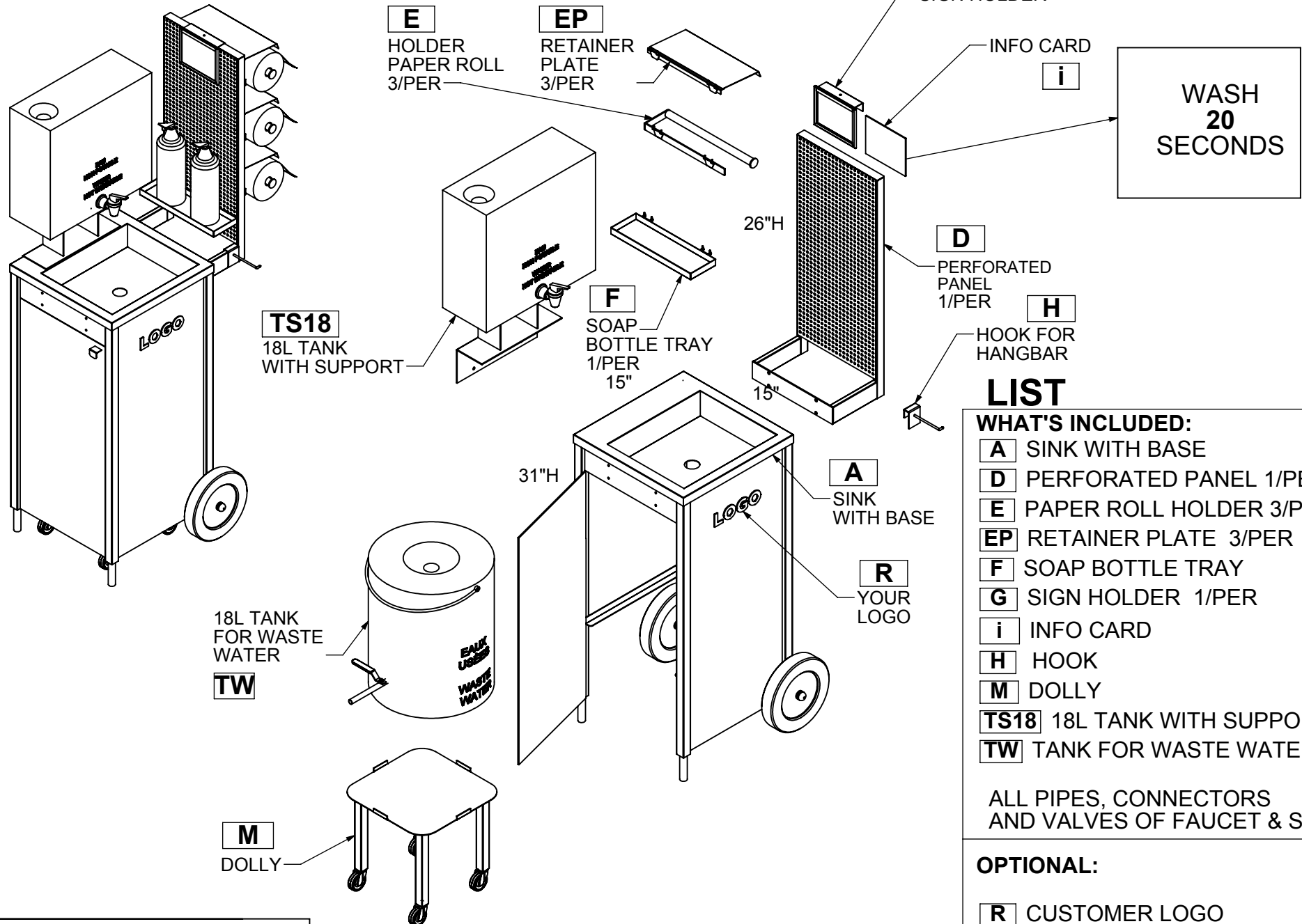


PSS-103 / PARTS LIST

STAINLESS STEEL &
DARK POWDERCOAT

ITEM: PORTABLE SANITARY STATION
CLOSED CIRCUIT



WASH
20
SECONDS

LIST

WHAT'S INCLUDED:

- A** SINK WITH BASE
- D** PERFORATED PANEL 1/PER
- E** PAPER ROLL HOLDER 3/PER
- EP** RETAINER PLATE 3/PER
- F** SOAP BOTTLE TRAY
- G** SIGN HOLDER 1/PER
- i** INFO CARD
- H** HOOK
- M** DOLLY
- TS18** 18L TANK WITH SUPPORT
- TW** TANK FOR WASTE WATER

ALL PIPES, CONNECTORS
AND VALVES OF FAUCET & SINK

OPTIONAL:

- R** CUSTOMER LOGO